



Light Oil Burners



ALM Series

30 - 2064 kW

High Technology

Light oil burners are designed as a result of long term tests and by professionals experienced in case of liquid fuel. High technology production burners have the same operating efficiency with diesel fuel and light oil. Alarko diesel fuel and light oil burners comply with the European Norms (EN 267).

Maximum Safety and Reliability

Burners are designed complying with the regulations of European standards. Special care is taken for safety during production and each burner is factory tested.

High Efficiency - Low Fuel Consumption

Perfect air-fuel mixture and proper combustion is obtained with high efficiency by the special design combustion head and air diffuser. The same amount of energy is maintained with less fuel supply. By this means maximum economy for fuel consumption is provided.

Environment Friendly

Operates silently with highly efficient fan and perfect combustion is provided even for the boilers with high back pressures. Particular designs of combustion head and air diffuser assure operating with low CO and NOx emissions contributing to the environmental protection.

Wide Model Range and Full Series

2.5 - 174 kg/h capacity range, square and volute body, single and double stage, totally 13 models are available. Wide range of capacity enables the most suitable and economic selection.

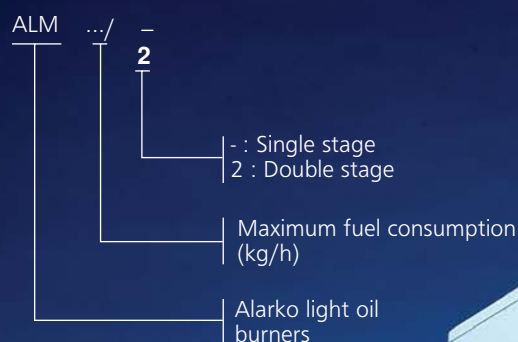
Full Delivery

Alarko light oil burners are featured to burn the oils which have viscosities up to 1.5×10^{-6} cSt (at 20°C). Single or double stage burners are factory-equipped with standard operating components, factory-adjusted and completely mounted and delivered in full with the fuel hoses and nozzles.

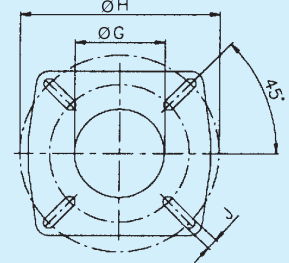
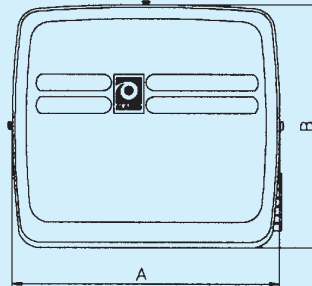
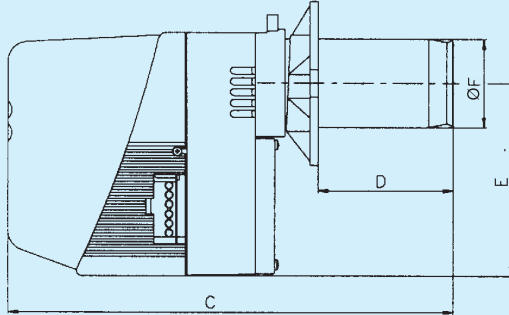
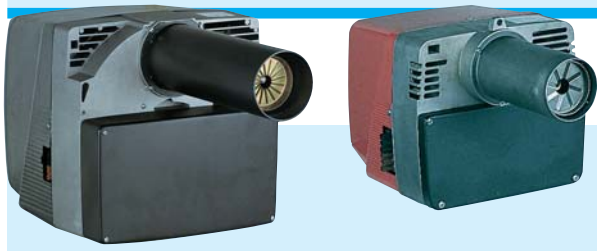
Boiler-Burner Conformity

Correct burner selection for the boiler, burner flame length and diameter conformity with combustion chamber are the most important factors affecting the combustion quality. Alarko burners operate properly and silently with the boilers having either low or high back pressures. The best matching of boiler and burner is determined and certificated after prolonged tests.

Order Notation



Square Body Burners



Models ALM 30, 30/2, 40/2 have black rear covers.

Dimensions (mm)

TYPES	A	B	C	D		E	ØF	ØG	ØH		J
				Min.	Max.				Min.	Max.	
ALM 5	280	247	379	-	89	195	80	85	136	161	M8
ALM 7	280	247	450	40	137	195	90	95	140	200	M8
ALM 14	309	282	576	85	220	217	130	110	140	200	M8
ALM 22	359	349	671	60	200	275	120	135	160	225	M10
ALM 30	420	423	765	70	290	350	133	145	174	226	M10
ALM 30/2	420	423	765	70	290	350	133	145	174	226	M10
ALM 40/2	420	430	782	120	310	350	147	160	172	225	M10

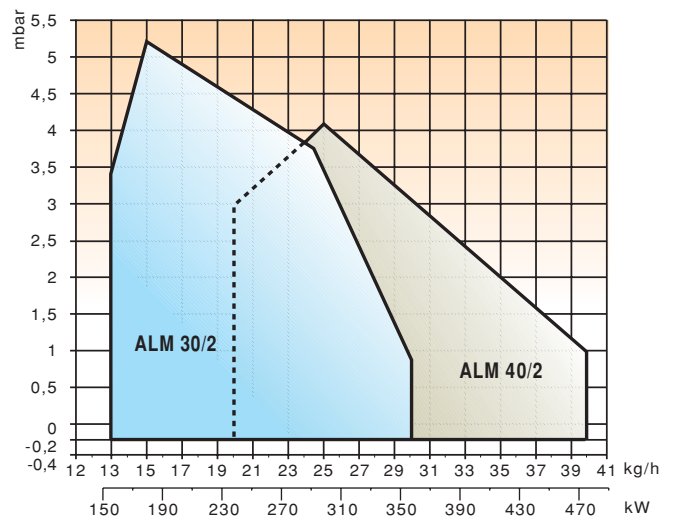
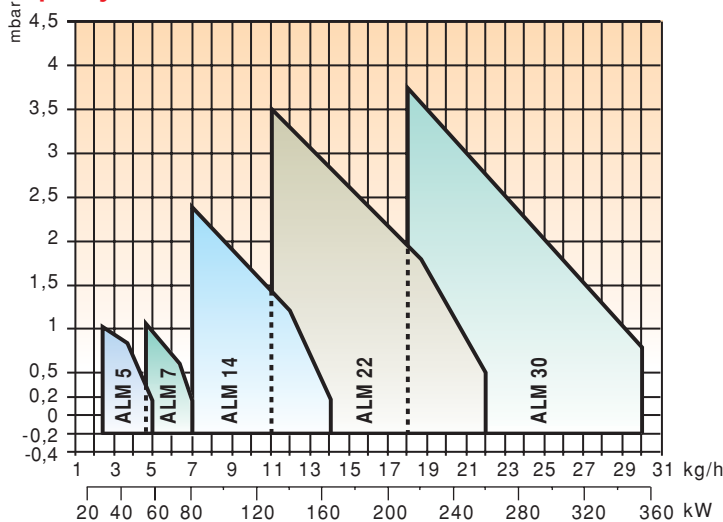
Technical Specifications

TYPES		ALM 5	ALM 7	ALM 14	ALM 22	ALM 30	ALM 30/2	ALM 40/2	
Capacity	min. kg/h	2,5	4,7	6,8	11	18	13	20	
	max. kg/h	5	7	14	22	30	30	40	
Heating Power	min. kW	29,7	55,8	80,8	130,2	213,4	154,1	237,2	
	max. kW	59,3	83,1	166,3	261	355,8	355,8	474,4	
	min. kcal/h	25.500	48.000	69.500	112.000	183.500	132.500	204.000	
	max. kcal/h	51.000	71.500	143.000	224.500	306.000	306.000	408.000	
Motor 2800 d/d	W	100	100	150	250	370	370	370	
Net Weight	kg	9,7	10,4	13,2	19	27,3	28,8	27,5	
Package Dimensions	mm	← 515x375x315 →		640x395x335	740x435x400	← 850x495x475 →			
Power Supply		← 1~220V, 50Hz →						3~220/380V, 50Hz	
Fuel		Light Oil - max. Viscosity 1,5°E=6 cSt, 20°C.							

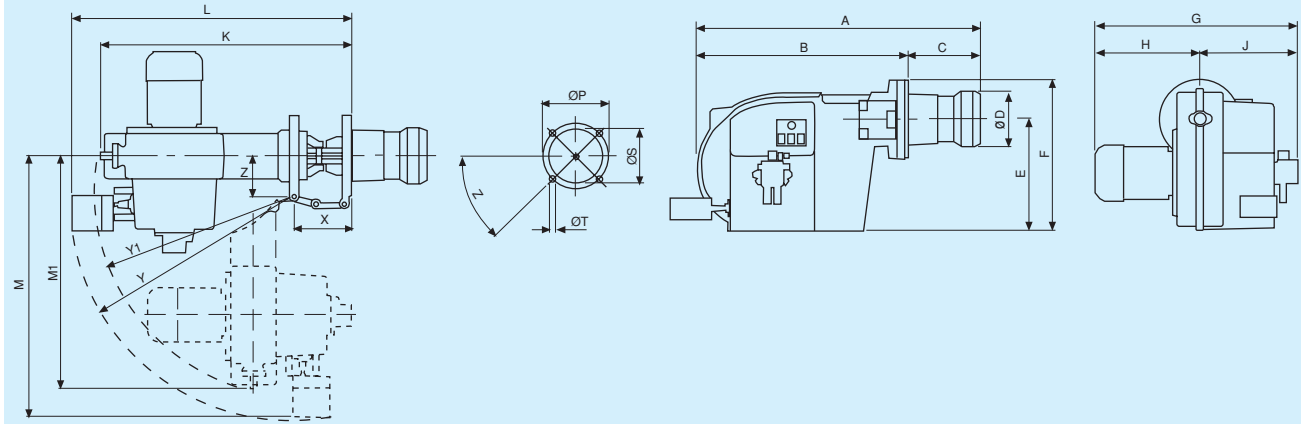
Lower calorific value of the fuel: 10.200 kcal/kg.

ALM 5, 7, 14, 22, 30, 30/2, 40/2 models not compatible with CE standards.

Capacity - Pressure Curves



Volute Body Burners



Dimensions (mm)

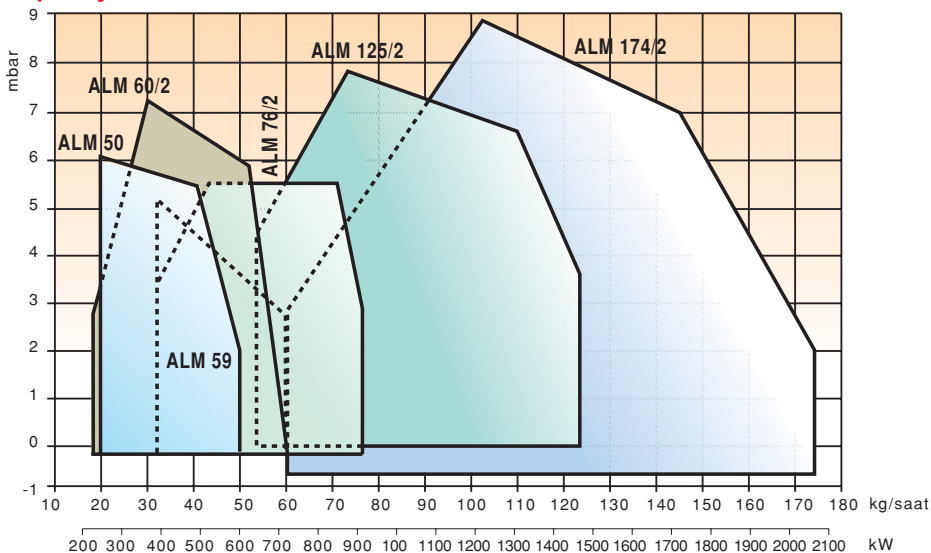
TYPES	A		B		C		ØD	E	F	G	H	J	K	L	M	M1	N	ØP	ØS	ØT	Y	Y1	X	Z
	Min.	Max.	Min.	Max.																				
ALM 50	776	806	595	181	211	159	318	434	560	295	265	712	-	-	663	115	186	162	M10	-	R561	164	45	
ALM 60/2	776	798	595	181	203	159	318	434	560	295	265	712	794	745	663	115	186	162	M10	R638	R561	164	45	
ALM 59	788	808	595	193	213	181	318	440	560	295	265	712	-	-	663	115	208	184	M10	-	R561	164	45	
ALM 76/2	776	806	595	181	211	181	318	440	564	295	269	712	794	745	663	115	208	184	M10	R638	R561	164	45	
ALM 125/2	986	1.023	726	260	297	204	375	525	746	348	398	926	1.007	895	976	152	300	230	M12	R824	R756	230	45	
ALM 174/2	996	1.033	734	262	299	226	375	525	746	348	398	926	1.007	895	976	152	300	230	M12	R824	R756	230	45	

Technical Specifications

TYPES		ALM 50	ALM 60/2	ALM 59	ALM 76/2	ALM 125/2	ALM 174/2
Capacity	min.	kg/h	19,8	19,1	32	32	53,4
	max.	kg/h	50	60	59,5	76,6	123,4
Heating Power	min.	kW	235	227	380	380	632,8
	max.	kW	593	712	706	909	1.464
	min.	kcal/h	201.960	194.820	326.400	326.400	544.680
	max.	kcal/h	510.000	612.000	606.900	781.320	1.258.680
Motor 2800 d/d	W	2.780	2.780	2.800	2.800	2.850	2.850
Net Weight	kg	32,1	34	33,6	35,5	66	66
Package Dimensions	mm	680x1.000x640					
Power Supply		3~380/400V, 50Hz					
Fuel		Light Oil - max. Viscosity 1,5°E=6 cSt, 20°C.					

Lower calorific value of the fuel: 10.200 kcal/kg.

Capacity - Pressure Curves



Outstanding Features



Combustion Head and Air Diffuser Adjustment

Combustion head adjustment of square body burners can be done while the burner is in operation. For volute body burners, combustion head and air diffuser adjustments are accomplished by opening the burner by the means of hinged flange, optimum combustion is provided.



Silent

Burners operate more silently comparing to similar ones of other brands. Square body burners have special air suction and noise reducing protective cover system. Volute body burners operate silently with their special aluminium alloy bodies having aerodynamic structures.



Air Adjustment

Air damper of double stage burner is operated with servomotor and proper fuel-air mixture is obtained. Thus stable combustion with high efficiency is provided.



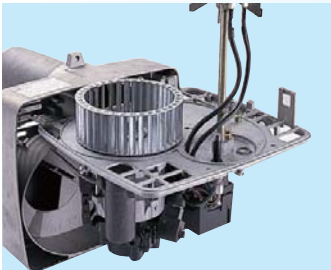
Automatic Air Shutting

Maintains the temperature variations in the boiler within limits, retards the cooling of the boiler, and reduces oil consumption.



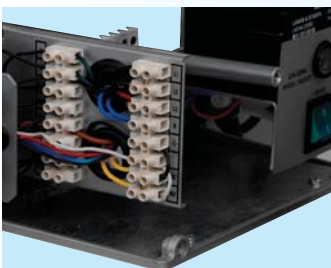
Ease of Assembly

Sliding flange for square body, special hinged flange system for volute body burners utilize easy and correct burner-boiler assembly and provide fast maintenance conditions.



Service and Maintenance Ease

Burner construction is designed allowing each component can be reached easily. Combustion head can be reached, adjustment and maintenance of the combustion and ionization electrodes can be carried out without separating square type burner from main fuel supply and boiler. By removing the protective cover all main components can be reached.

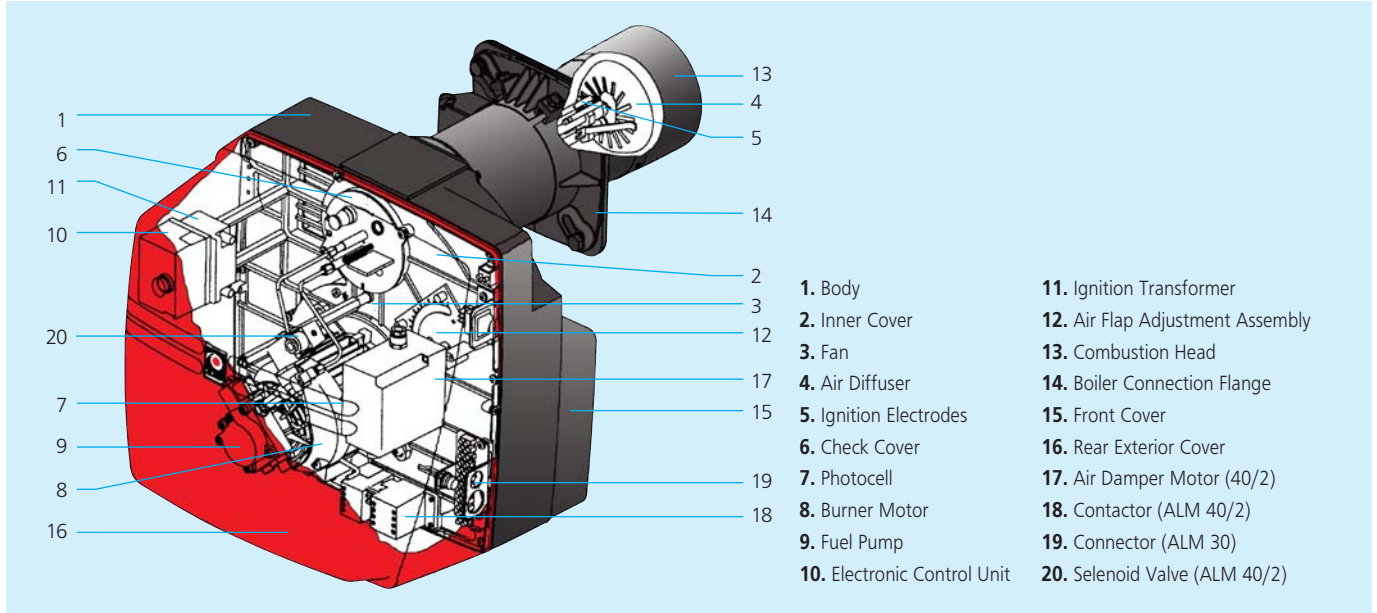


Easy Electrical Connections

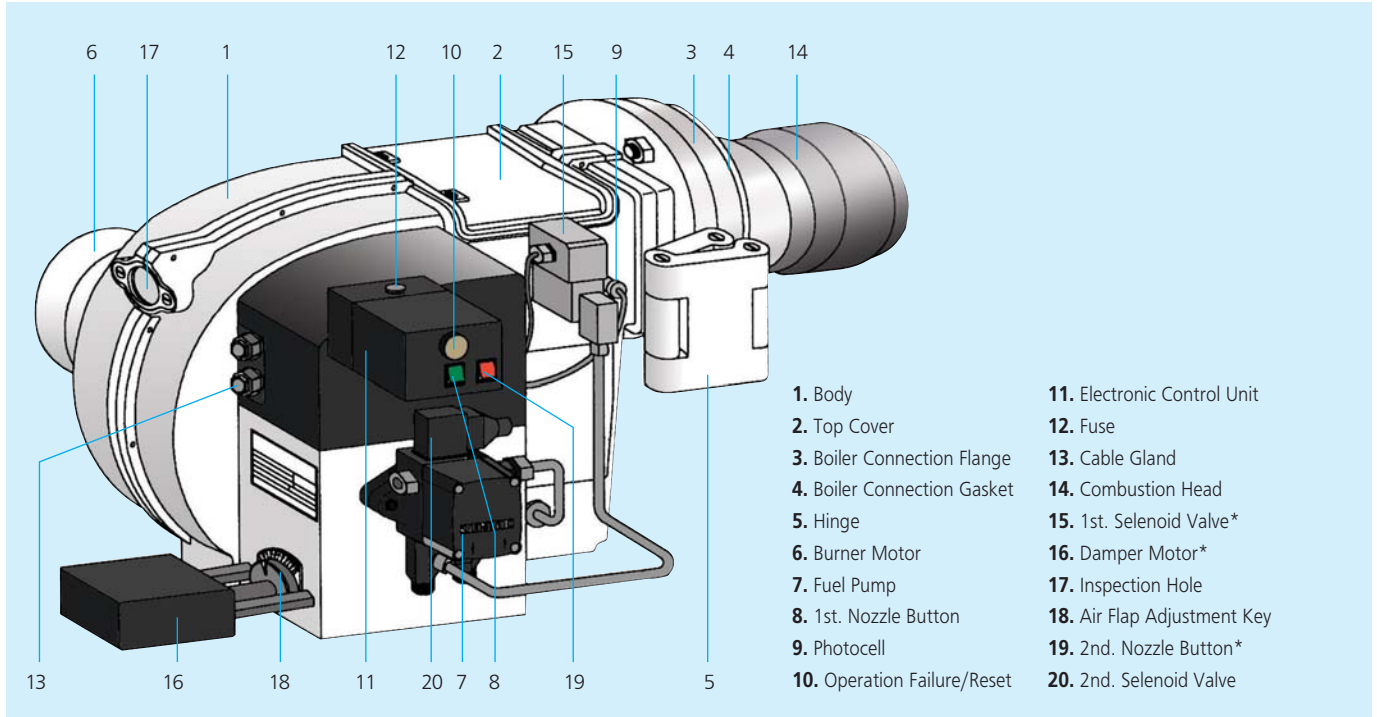
All cautions are taken for utilizing the electrical connection operations easy, correct and fast. To prevent possible connection failures electrical connections are designed to be made via sockets and clemences.

Main Components

Square Body Burners



Volute Body Burners



* ALM 60/2, 76/2, 125/2, 174/2 models.



The company reserves its right to alter its products due to technological developments.

ALARKO



ALARKO CARRIER
SANAYİ VE TİCARET A.Ş.

GOSB-Gebze Organize Sanayi Bölgesi
Şahabettin Bilgisu Cad. 41480 Gebze-Kocaeli/TURKEY

Phone : (90)(262) 648 60 00 PBX

Telefax : (90)(262) 648 61 01

web : www.alarko-carrier.com.tr

e-mail : info@alarko-carrier.com.tr

